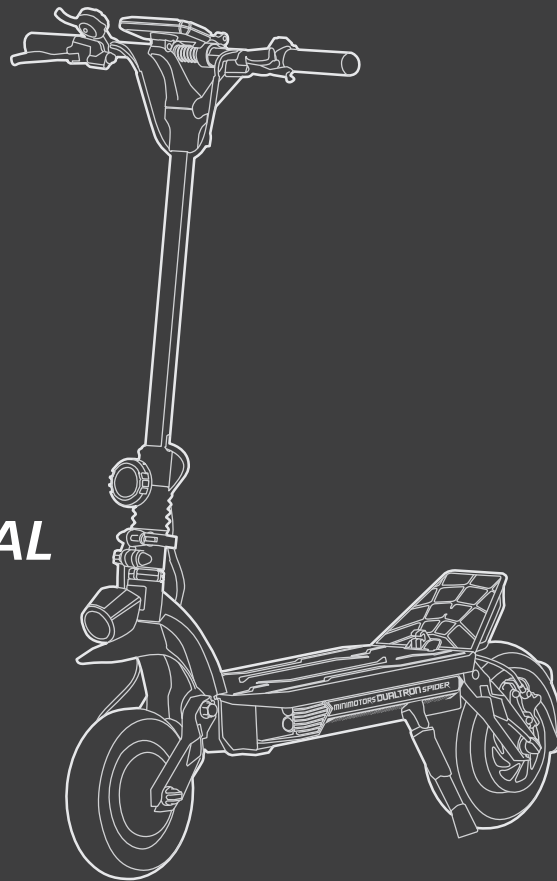


***SPIDER - MAX***

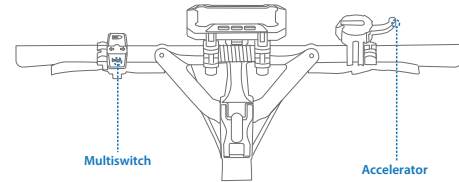
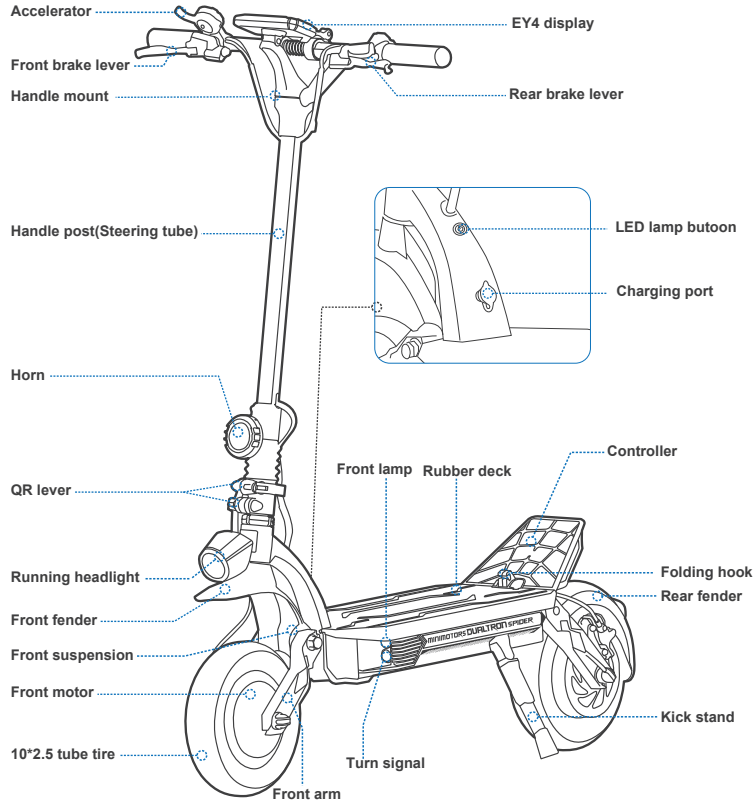
Personal Mobility




***PRODUCT MANUAL***





## Diagram And Functions



Name	Function	Operation method
 Headlight button	Turn on/off headlight	Press the light button, turn on/off the headlight.
 Turn Signal Button	Turn on/off the left/right signal	Press the left/right side of the Turn Signal Button, the left/right turn signal will keep blinking.
 Horn Button	Turn on the horn	Press the Horn Button, the scooter will beep once.
Accelerator	Speed up	Pull the throttle to accelerate.








## Specifications

	Item	Parameter
<b>Product</b>	Model	DUALTRON SPIDER-MAX
	Length × Width × Height	1140x620x1250mm
	Folded: Length × Width × Height	1140x220x510mm
	Net Weight	31.5kg
<b>Rider</b>	Max. load	120kg
	Recommended Age	14–60 years old
<b>Machine</b>	Wheelbase	Approx.900mm
	Ground Clearance	Approx.180mm
	Drive System	Two-wheel drive
	Max. Speed	80km/h
	Max. Slope	Around 43%(23°)
	Traversable Terrain	Asphalt/flat pavement; obstacles < 5 cm; gaps < 5 cm
	Operating Temperature	-5 to 45°C
Storage Temperature	-20 to 50°C	
<b>Display</b>	Type	EY4 LCD Bluetooth Display(Ability to connect to DUALTRON APP)
	Size Of LCD	95*36mm, about 4.2 inches
<b>Brake</b>	Type	Hydraulic brake (140mm disc)
	Electric Brake	ABS/EBS



## Specifications

<b>Battery</b>	Battery Capacity	60V30Ah LG / 60V24Ah
	Range	Around 100km / 85km
	Duration of Charging	17hr / 13hr
	Charging Ambient Temperature	0 to 40°C (Battery temperature exceeds 55°C,BMS start protection program.)
	Battery Management System	Over-heating, short circuit, over-current, over-discharge and over-charge protection
<b>Motor</b>	Motor Type	BLDC Hub Motor
	Nominal Power	1000W*2
	Max. Power	2000W*2
<b>Charger</b>	Input Voltage	100-120V/200-240V~
	Max. Output Voltage	66.4V1.75A (Fast charger 66.4V6.5A is optional)
<b>Tire</b>	Type	10*2.5 tube tire
	Tire Pressure	50 psi
	Material	Rubber
<b>Suspension</b>	Type	Rubber suspesnion(front)+replaceable suspension(rear,cartridge design)
	Optional	Softest  (Front) Medium soft  (Rear) Medium  Medium hard  Hardest 

**Note:** \*Change the thickness of the gasket to obtain different shock absorption effects.

\*Disclaimer: this is not a legal opinion or legal advice. The information provided herein (including in the App) is for your convenience and information purpose only. It is not intended to cover every piece of law and/or regulation that may be applicable to this product. DUALTRON explicitly hereby disclaims any and all warranty and/or representation, express or implied, related to completeness, accuracy, up-to-date of such information. DUALTRON reserves the right but not obligation to correct, implement and/or update the information. You shall use the information at your own risk. It is your sole responsibility to learn and understand any and all the law and/or regulation, requirements, prohibition, restriction and/or limitation imposed by either law, government authority, court, private party or the others that may apply to your use of this product.

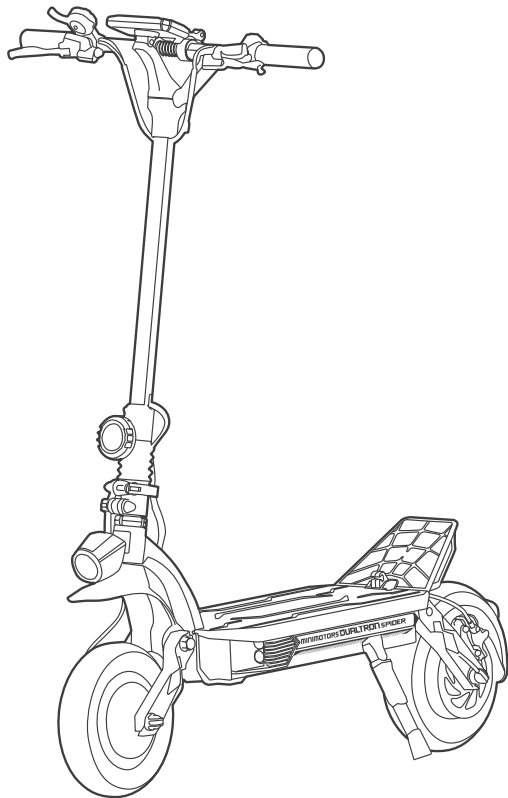
\*Theoretical Range: tested while riding with a full battery, 75 kg load, 25°C, at the speed of 25 km/h on average on pavement.

\*Typical Range: tested while riding with a full battery, 75 kg load, 25°C, at the speed of 50 km/h on average on pavement. (Some of the factors that affect range include speed, number of starts and stops, ambient temperature, etc.)

\*Max.Speed: tested while riding with a full battery,75kg load,25°C,straight road on flat road with no wind. (Some environmental factors can affect max speed,uneven roads, crooked roads, temperature, wind, etc.)



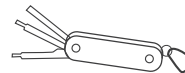
## Packing List



### Accessories



Battery charger x1



Multitool x 1



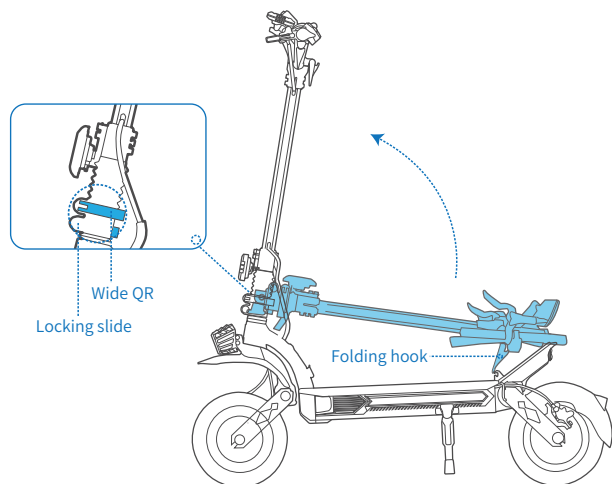
Manual



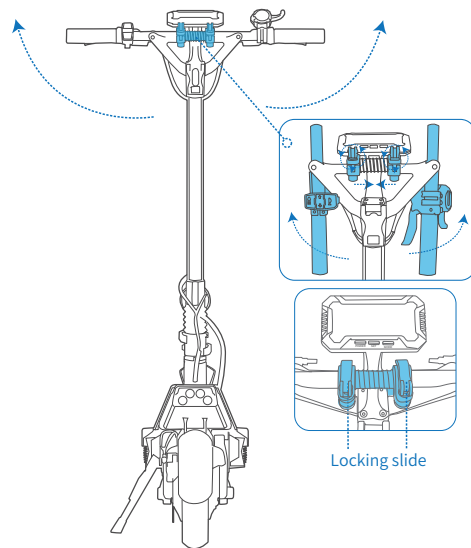
Screw Cap x 2



## Assembly



- ① Unlock the steering tube from folding hook.
- ② Raise the steering tube, move the locking slide downward.
- ③ Tighten the finishing screw properly to lock the wide QR lever firmly.



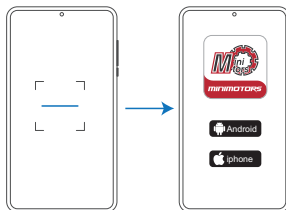
- ④ Move the locking slide of handlebar inward and raise the handles.
- ⑤ Close the QR lever and tighten it.

# Bluetooth Connection

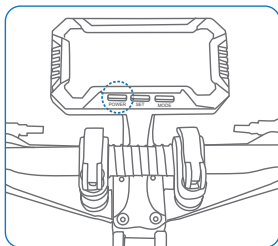
## APP Download Guide



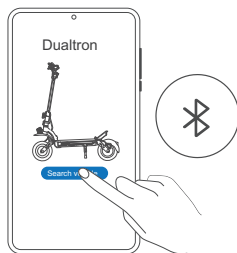
1. Scan the QR code to download the APP.
2. Choose the mobile phone system that suits you to install, and register / log in.



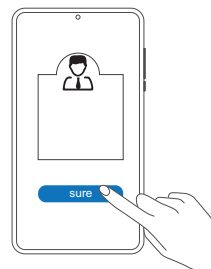
1. Search "DUALTRON" in the application and download it, and register / log in.



Power on the scooter.



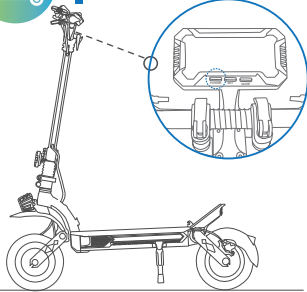
Click "Search vehicle" and pair with your scooter. \* The scooter is connected to the Dualtron app when the Bluetooth symbol lights up.



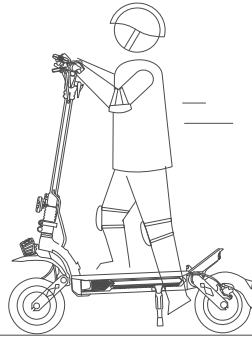
Select bind as owner



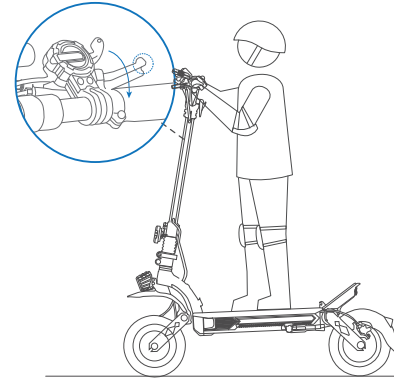
## How to Ride



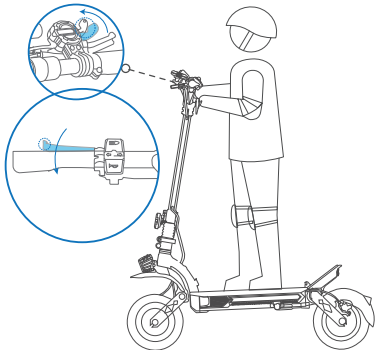
1. Power on the scooter and choose the speed mode. \* Please choose the speed mode before riding! Note: Speed mode can be choose via the Dualtron app.



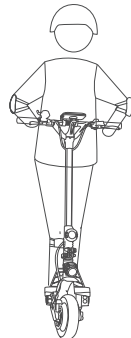
2. Stand on the footboard with one foot and push off with the other foot to start gliding. \*Make sure you have disabled SAFE mode. (SAFE mode setting via Dualtron app. Deactivate safe mode by squeezing brake lever.)



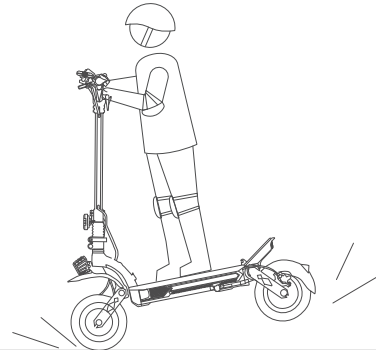
3. Put both feet on the footboard and stand stably. Pull the throttle to speed up.



4. Slow down by releasing the throttle and squeezing brake levers.



5. To turn, shift your body and turn the handlebar slightly. \* Please watch out for road conditions, sufficient turning space is required.

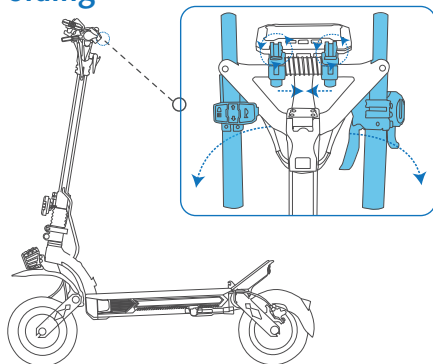


When hard braking, serious danger or injury may occur. Maintain a moderate speed and look out for potential hazards.

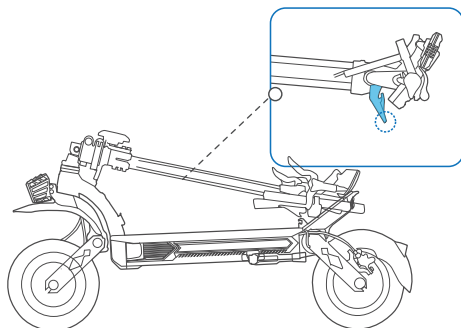




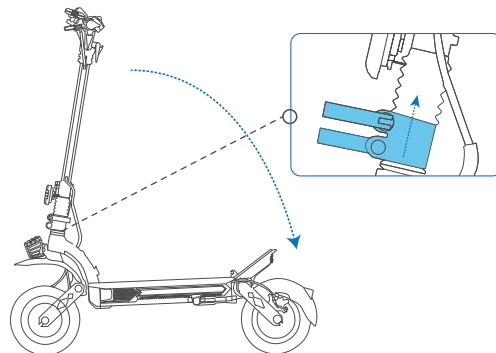
## Folding



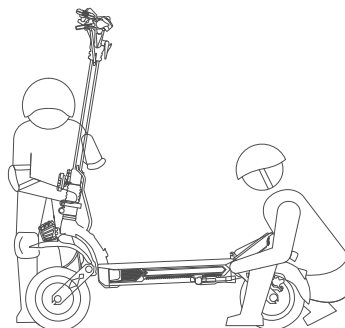
Release the QR lever of handlebar, move the locking slide inward and fold the handles.



Fold the steering post, lock the steering tube to the deck.



Release the wide QR lever, raise the locking slide upwards.



Lift up the bottom of the front fork and rear foot pedal to carry if necessary. Make sure the scooter is carried by two or more people. **⚠ Risk of pinching!**